



East Elevation 8-11-8 Photo with sign illustration overlay.

**Sign Description**

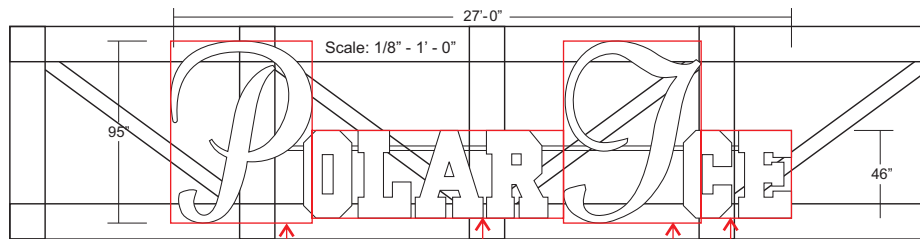
Individual Pan Channel (P/C) Neon illuminated letters with EGL 7100 white neon and white letter faces with graphic film overlay.

**Sign Specifications**

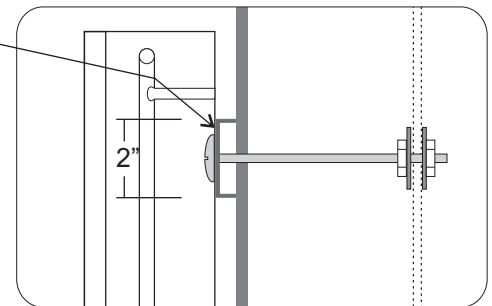
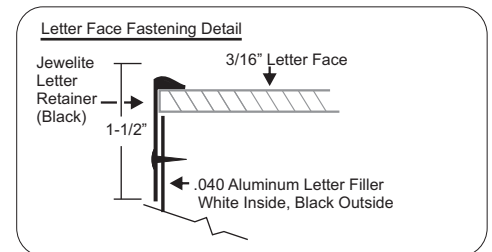
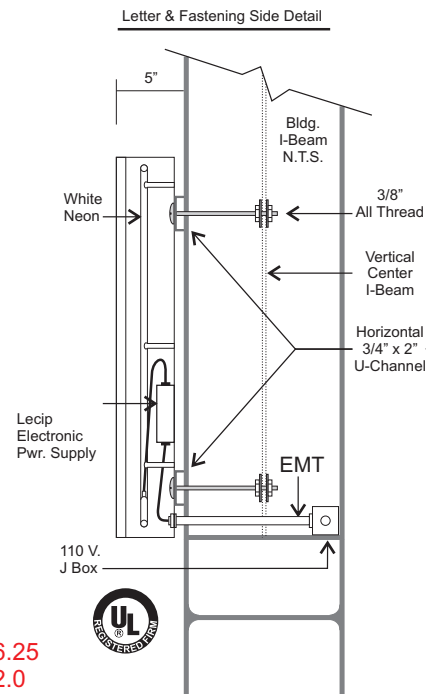
All aluminum P/C .125 letter backs, .040 fillers (sides) and Jewelite 1-1/2" retainers. Translucent white polycarbonate letter faces with translucent graphic film overlay. All electronic neon power supplies. Each mounted inside P/C letters. 6 Amp circuit & breaker at panel thru 24 Hr. Clock Timer.

**Sign Colors**

White faces with translucent graphic overlay vinyl. Black letter retainers. Black letter sides and backs.



73.75" x 95.0" ←	131.25" x 46.0" ←	71.75" x 95.0" ←	46" x 95.0" →	46.25
7006.25/144 = 46.25 Sq. Ft.	6816.25/144 = 47.25 Sq. Ft.			42.0
6037.5/144 = 42.0 Sq. Ft.	4370/144 = 30.5 Sq. Ft.	Sign square feet using "box" area calculation totals.		47.25
				30.5
				167.0 Sq. Ft.



Dwg. # NN-2008-113-P-East  
 Dwg. by M.S.  
 Date: 8-13-8

**Naturalite Neon**  
 2520 West Holly  
 Phoenix AZ 85009  
 602-278-8866  
 AZ R.O.C. #075027

**Polar Ice**  
 2305 E. Knox Rd. Gilbert AZ 85296