



North Elevation 8-11-8 Photo with sign illustration overlay.

Sign Description

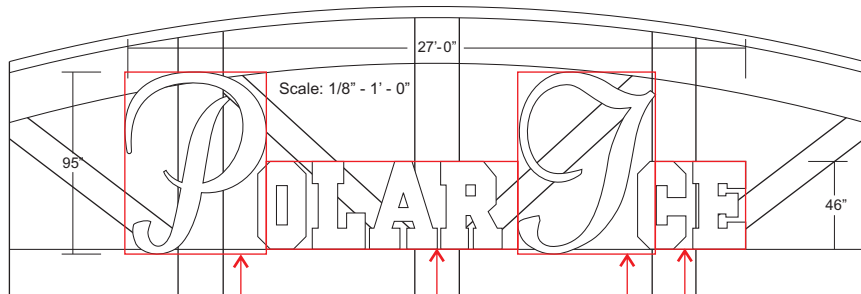
Individual Pan Channel (P/C) Neon illuminated letters with EGL 7100 white neon and white letter faces with graphic film overlay.

Sign Specifications

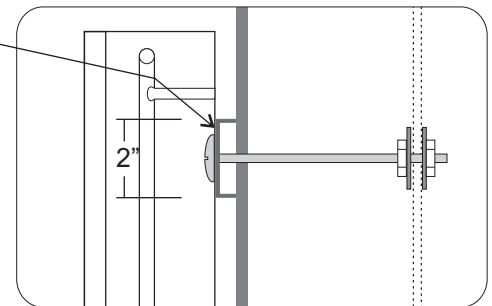
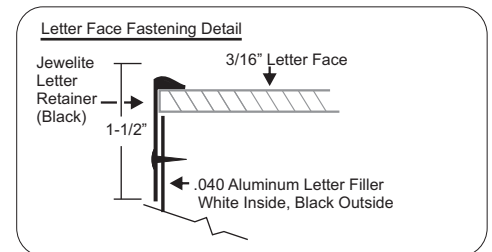
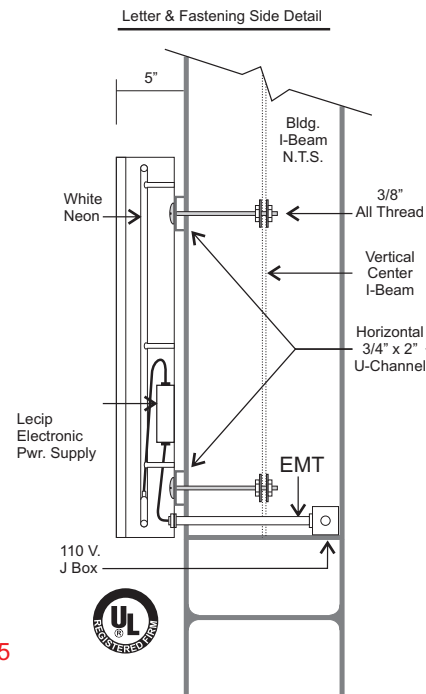
All aluminum P/C .125 letter backs, .040 fillers (sides) and Jewelite 1-1/2" retainers. Translucent white polycarbonate letter faces with translucent graphic film overlay. All electronic neon power supplies. Each mounted inside P/C letters. 6 Amp circuit & breaker at panel thru 24 Hr. Clock Timer.

Sign Colors

White faces with translucent graphic overlay vinyl. Black letter retainers. Black letter sides and backs.



73.75" x 95.0" ←	131.25" x 46.0" ←	71.75" x 95.0" ←	→ 46" x 95.0"	Sign square feet using "box" area calculation totals.
7006.25/144 = 46.25 Sq. Ft.	6816.25/144 = 47.25 Sq. Ft.			
6037.5/144 = 42.0 Sq. Ft.	4370/144 = 30.5 Sq. Ft.			
			167.0 Sq. Ft.	



Dwg. # NN-2008-113-P-R.1
 Dwg. by M.S.
 Date: 8-12-8

Naturalite Neon
 2520 West Holly
 Phoenix AZ 85009
 602-278-8866
 AZ R.O.C. #075027

Polar Ice
 2305 E. Knox Rd. Gilbert AZ 85296